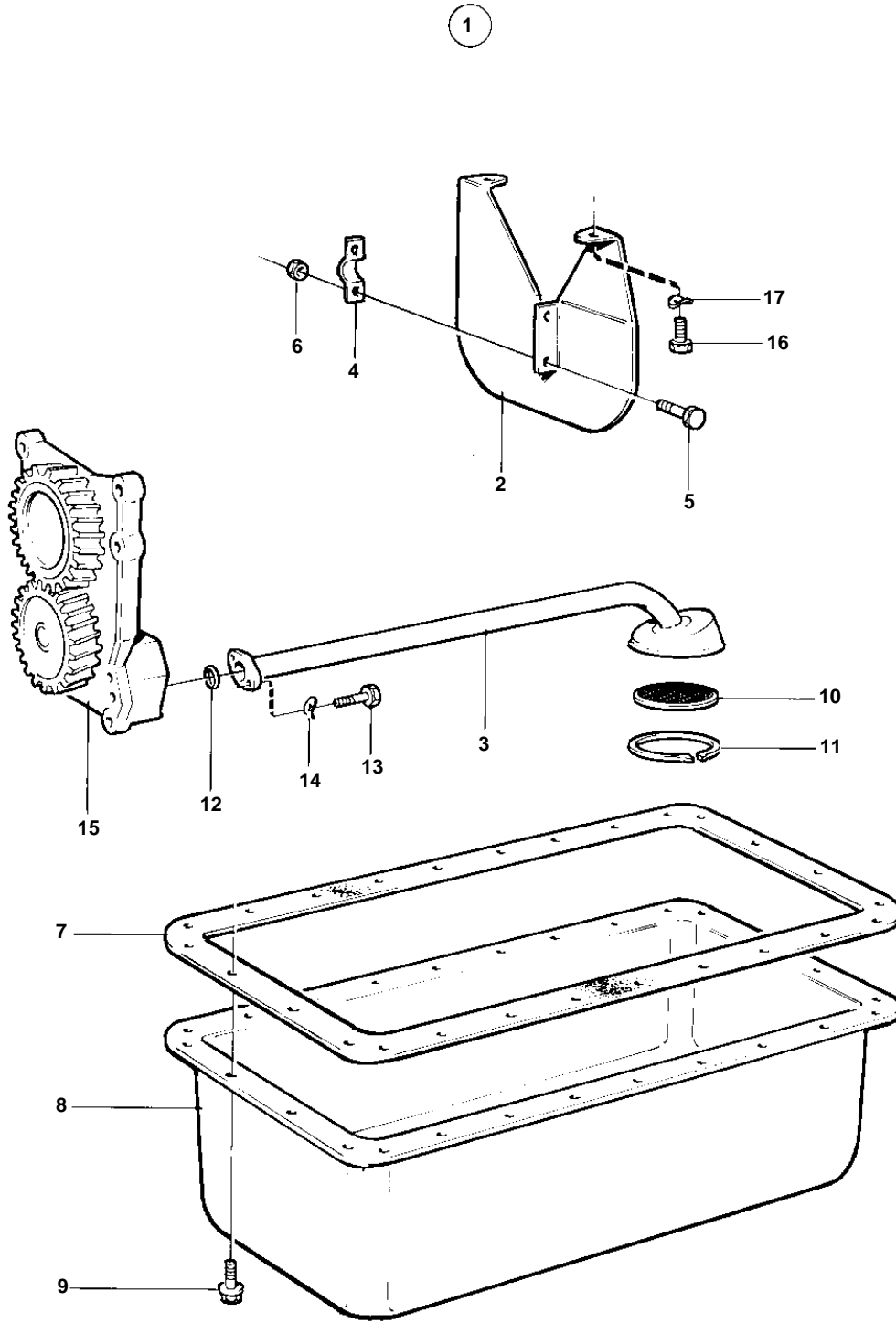


MD40A,TMD40A,TMD40B,TMD40C,TAMD40A,TAMD40B



MD40A,TMD40A,TMD40B,TMD40C,TAMD40A,TAMD40B

REF	PART NO.	QTY	DESCRIPTION		NOTES
1	845588	1			
2		1	· BATTLE		
3	845557	1	· Suction pipe		
4		1	· CLAMP		
5	963556	2	· Screw		
6	946035	2	· Lock nut		
7	859032	1	· Gasket	IK	(1542247)
8		1	OIL PAN		SEE GROUP 2A
9	946440	32	Flange screw		
10	403483	1	Wire gauze		
11	118123	1	Lock ring		
12	925060	1	O-ring	IK	
13	955303	2	Screw		
14	941907	2	Spring washer		
15		1	OIL PUMP		SEE GROUP 2A
16	955293	2	Screw		
17	942385	2	Disc spring		